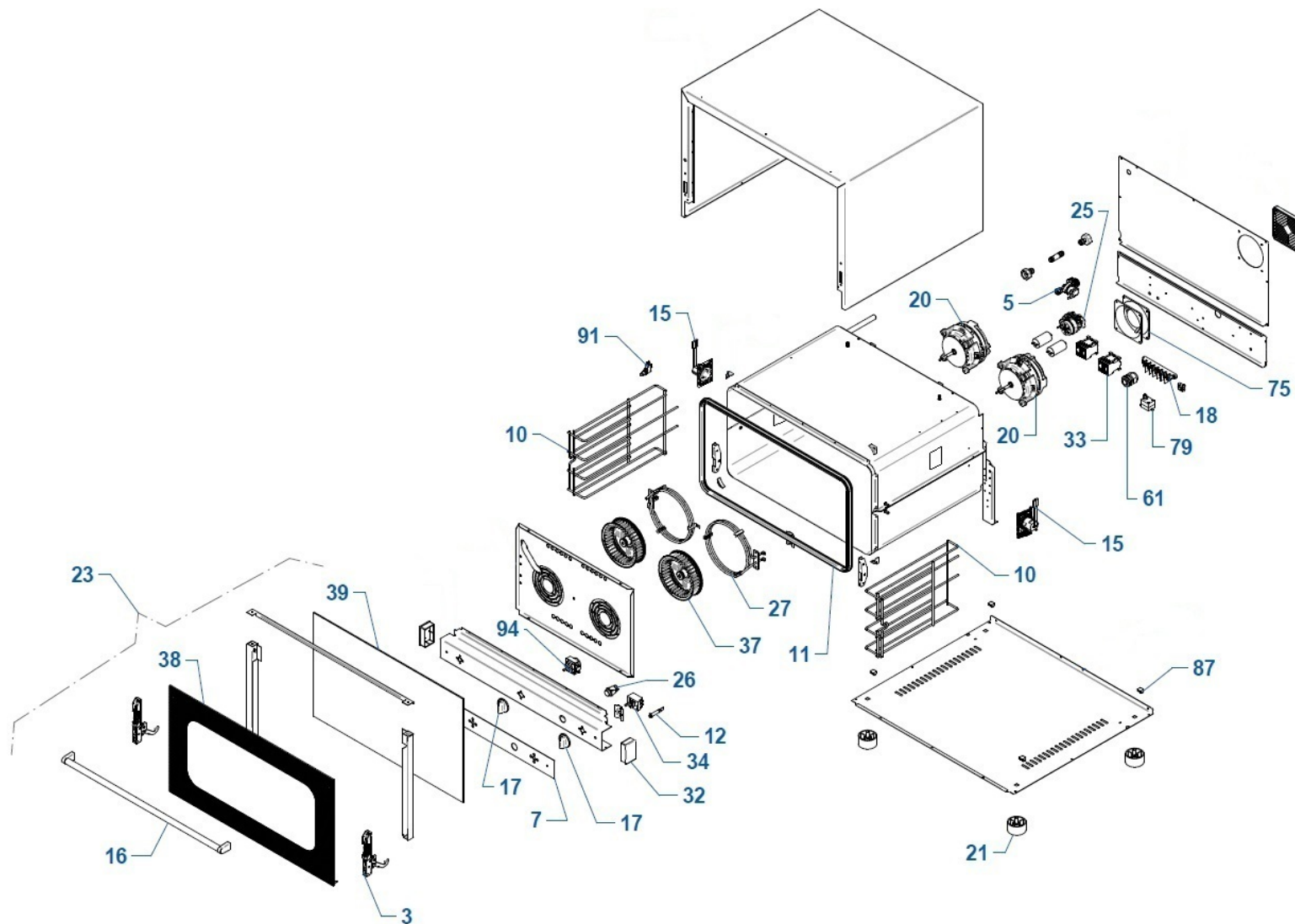


# PF7604

## - CONVECTION HUMIDITY OVEN 4 TRAYS 600X400 - GN 1/1

(print on 23/02/2018)



| N  | ITEM     | N | ITEM |
|----|----------|---|------|
| 3  | CER30011 |   |      |
| 5  | ELE30004 |   |      |
| 10 | GRI30008 |   |      |
| 11 | GUA30015 |   |      |
| 12 | IND30002 |   |      |
| 15 | LAM00004 |   |      |
| 16 | MAG30037 |   |      |
| 17 | MAN30014 |   |      |
| 18 | MOR30004 |   |      |
| 20 | MOT30045 |   |      |
| 21 | PIE30010 |   |      |
| 23 | POR00070 |   |      |
| 25 | PRG30015 |   |      |
| 26 | PUL30003 |   |      |
| 27 | RES30005 |   |      |
| 32 | TAP30018 |   |      |
| 33 | TEL30007 |   |      |
| 34 | TER30016 |   |      |
| 37 | VEN30002 |   |      |
| 38 | VET30070 |   |      |
| 39 | VET30014 |   |      |
| 61 | PPC30001 |   |      |
| 75 | MOT30035 |   |      |
| 79 | TER30013 |   |      |
| 87 | DAD30010 |   |      |
| 91 | PUL30006 |   |      |
| 94 | PRG30001 |   |      |

# PF7604

## - CONVECTION HUMIDITY OVEN 4 TRAYS 600X400 - GN 1/1

| N  | ITEM     | DESCRIPTION (ENG)                                   |
|----|----------|---|
| 3  | CER30011 | DOOR HINGE  |
| 5  | ELE30004 | ELECTROVALVE 1 WAY                                  |
| 10 | GRI30008 | LATERAL SUPPORT FOR P/G -800-804                    |
| 11 | GUA30015 | DOOR GASKET   |
| 12 | IND30002 | ORANGE LIGHT  |
| 15 | LAM00004 | COMPLETE LAMP                                       |
| 16 | MAG30037 | DOOR HANDLE   |
| 17 | MAN30014 | KNOB  |
| 18 | MOR30004 | TERMINAL  |
| 20 | MOT30045 | MOTORE 200-230V 50/60Hz 80W OLYMPIA                 |
| 21 | PIE30010 | FOOT  |
| 23 | POR00070 | COMPLETE DOOR 800 PIRON                             |
| 25 | PRG30015 | PRG.CAMME 11902F1AGE000.0070 50/60Hz UL REVERSE     |
| 26 | PUL30003 | HUMIDIFIER BUTTON                                   |
| 27 | RES30005 | HEATING ELEMENT 3000W Ø186                          |
| 32 | TAP30018 |   |
| 33 | TEL30007 | CONTACTOR   |
| 34 | TER30016 | THERMOSTAT UL                                       |
| 37 | VEN30002 | FAN   |
| 38 | VET30070 | CRISTALLO ESTERNO F800 SERIGRAF NERO                |
| 39 | VET30014 | INTERNAL GLASS 800 SERIES                           |
| 61 | PPC30001 | CABLE GLAND M25x1,5 + NUT                           |
| 75 | MOT30035 | MOTOVENT. ASSIALE 120x120 ADDA AA1282HB-AT 220-240V |
| 79 | TER30013 | SECURITY THERMOSTAT                                 |
| 87 | DAD30010 | NUT FOR FEET  |
| 91 | PUL30006 | DOOR MICRO SWITCH                                   |
| 94 | PRG30001 | TIMER 0-120 MINUTES                                 |

| N | ITEM | DESCRIPTION (ENG) |
|---|------|-------------------|
|---|------|-------------------|

# PF7604

## - CONVECTION HUMIDITY OVEN 4 TRAYS 600X400 - GN 1/1

| N  | KIT      | DESCRIPTION (ENG)                                  | N | ITEM | DESCRIPTION (ENG) |
|----|----------|--|---|------|-------------------|
| 3  | KCR00010 | KIT SPARE PART 2 X CER30011 + 2 X CER30012         |   |      |                   |
| 3  | KCR20010 | KIT SPARE PART 20 X CER30011 + 20 X CER30012       |   |      |                   |
| 5  | KEE00004 | KIT SPARE PART ELE30004                            |   |      |                   |
| 10 | KGI00017 | KIT SPARE PARTS GRI30008 (2 PCS) 7504-7604 CROMATE |   |      |                   |
| 11 | KGA00015 | KIT SPARE PART GUA30015                            |   |      |                   |
| 11 | KGA10015 | KIT SPARE PART GUA30015 x 50 mt                    |   |      |                   |
| 12 | KID00002 | KIT SPARE PART IND30002                            |   |      |                   |
| 15 | KLM00004 | KIT SPARE PART LAM00004                            |   |      |                   |
| 16 | KMG00037 | KIT SPARE PART MAG30037                            |   |      |                   |
| 17 | KMN00014 | KIT SPARE PART 3 X MAN30014                        |   |      |                   |
| 18 | KMR00001 | KIT MORSETTIERA 7 POLI MOR30004                    |   |      |                   |
| 20 | KMT00045 | KIT SPARE PART MOT30045                            |   |      |                   |
| 21 | KPE00010 | KIT SPARE PART PIE30010                            |   |      |                   |
| 23 | KPR00070 | KIT SPARE PART POR00070                            |   |      |                   |
| 25 | KPG00015 | KIT SPARE PART PRG30015                            |   |      |                   |
| 25 | KPG10015 | KIT SPARE PART 5 x PRG30015                        |   |      |                   |
| 26 | KPL00003 | KIT SPARE PART PUL30003                            |   |      |                   |
| 27 | KRS00005 | KIT SPARE PART RES30005                            |   |      |                   |
| 32 | KCU00003 | KIT SPARE PART CRU60203 + N°2TAP30018              |   |      |                   |
| 32 | KTP00018 | KIT SPARE PART TAP30018 (2 PZ)                     |   |      |                   |
| 33 | KTL00007 | KIT SPARE PART TEL30007 (2 pcs)                    |   |      |                   |
| 34 | KTR00016 | KIT SPARE PART 1 x TER30016                        |   |      |                   |
| 37 | KVN00002 | KIT SPARE PART VEN30002                            |   |      |                   |
| 38 | KVT00070 | KIT SPARE PART VET00070                            |   |      |                   |
| 39 | KVT00014 | KIT SPARE PART VET30014                            |   |      |                   |
| 61 | KPC00001 | KIT SPARE PART PPC30001                            |   |      |                   |
| 75 | KMT00035 | KIT SPARE PART MOT30035                            |   |      |                   |
| 79 | KTR00013 | KIT SPARE PART TER30013                            |   |      |                   |
| 87 | KDD00010 | KIT SPARE PART 4 X DAD30010                        |   |      |                   |
| 91 | KPL00006 | KIT SPARE PART PUL30006                            |   |      |                   |
| 94 | KPG00001 | KIT SPARE PART PRG30001                            |   |      |                   |