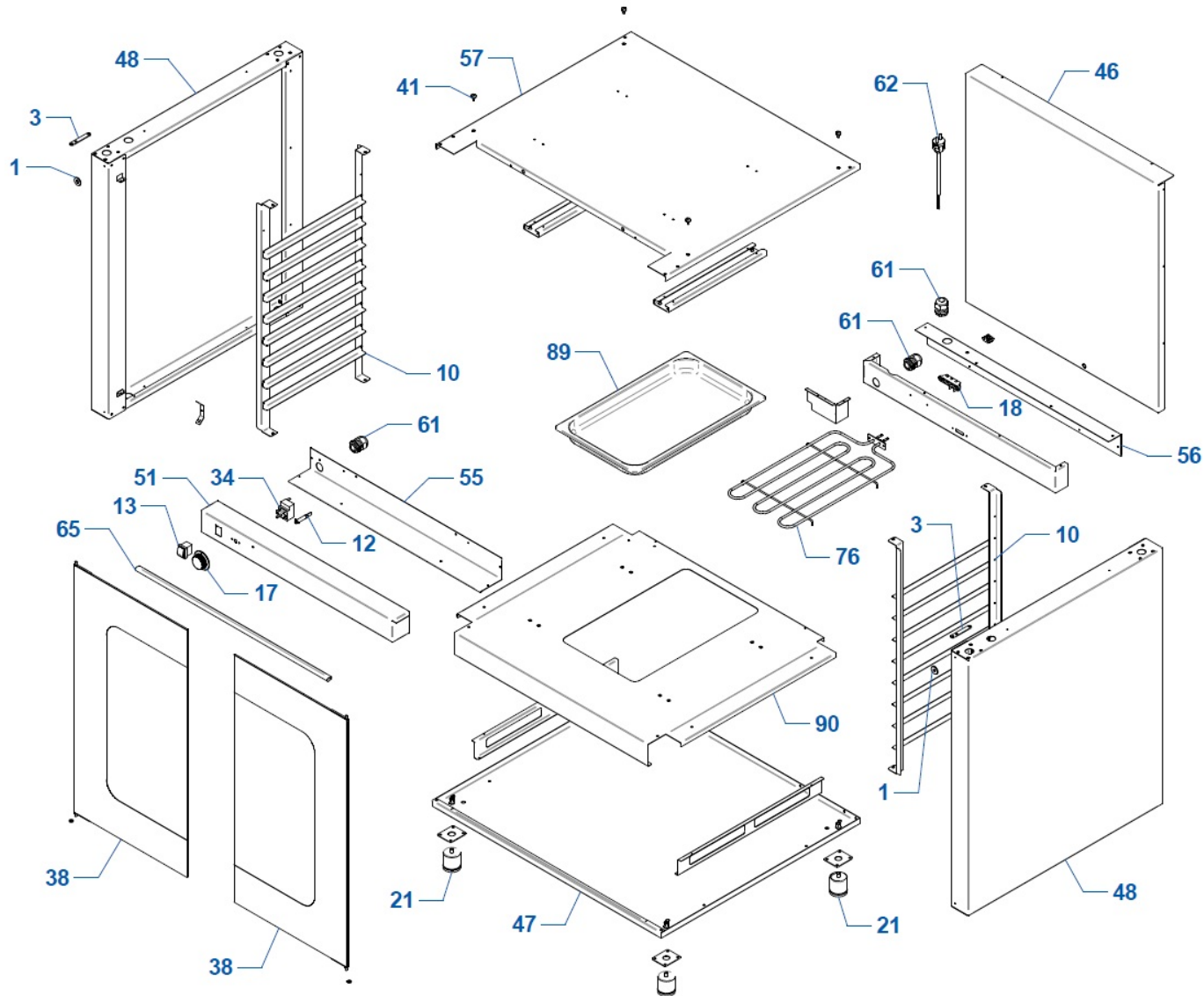


PL9008

- PROOFER 8 TRAYS 600X400 - GN 1/1

(print on 16/06/2016)



N	ITEM	N	ITEM
1	CAL30002		
3	PIA30074		
10	GRI30041		
12	IND30002		
13	INT30003		
17	MAN30023		
18	MOR30005		
21	PIE30008		
34	TER30012		
38	VET00090		
41	VIT30042		
46	SCN00022		
47	FON30107		
48	FIA30055		
51	CRU60121		
55	CPR00017		
56	CPR00014		
57	CPR00016		
61	PPC30001		
62	CAV30014		
65	GUA30008		
76	RES30014		
89	LEC30017		
90	SUP30140		

PL9008

- PROOFER 8 TRAYS 600X400 - GN 1/1

N	ITEM	DESCRIPTION (ENG)
1	CAL30002	MAGNETIC FIXING
3	PIA30074	UPPER HINGE L600/800/912
10	GRI30041	LATERAL GRID PROOFER L600-800-900
12	IND30002	ORANGE LIGHT
13	INT30003	ON/OFF BLACK SWITCH
17	MAN30023	KNOB BLACK GRAD. 0-60° + FERRULE
18	MOR30005	TERMINAL BLOCK 3 PIN
21	PIE30008	PIEDINO X304 D.52MM H35MM C/VIT M10X25
34	TER30012	THERMOSTAT 0°-60° PROOF.TU-VST T80 16A
38	VET00090	COMPLETE DOOR-GLASS PROOFER L900
41	VIT30042	DEFLECTOR SCREW M5
46	SCN00022	BACK SIDE PROOFER 900
47	FON30107	BOTTOM PROOFER 900
48	FIA30055	LATERAL PANEL PROOFER 800-900
51	CRU60121	FRONTAL PANEL PROOFER 900
55	CPR00017	FRONTAL PANEL COVER 900
56	CPR00014	COVER FOR HEATING EL. HOLDER 912
57	CPR00016	TOP PROOFER 900
61	PPC30001	CABLE GLAND M25x1,5 + NUT
62	CAV30014	CABLE
65	GUA30008	PROOFER GASKET
76	RES30014	HEATING ELEMENT 230/240V-2000W
89	LEC30017	STAINLESS STEEL TRAY 530X325X40 - GN 1/1
90	SUP30140	WATER BOX HOLDER FOR L900

N	ITEM	DESCRIPTION (ENG)
---	------	-------------------